

# Solid State Start Switch SS110BE (BACKEND)

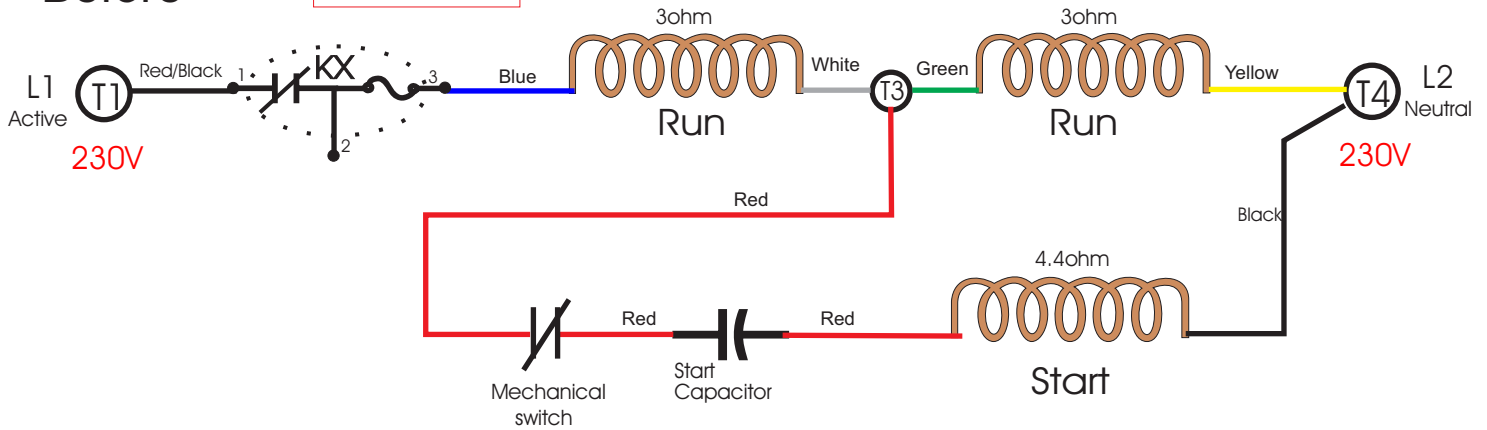


## Howell Dual Voltage Brunswick Ball Booster Motors

Dual Voltage 115/230V motor  
**230V supply voltage**

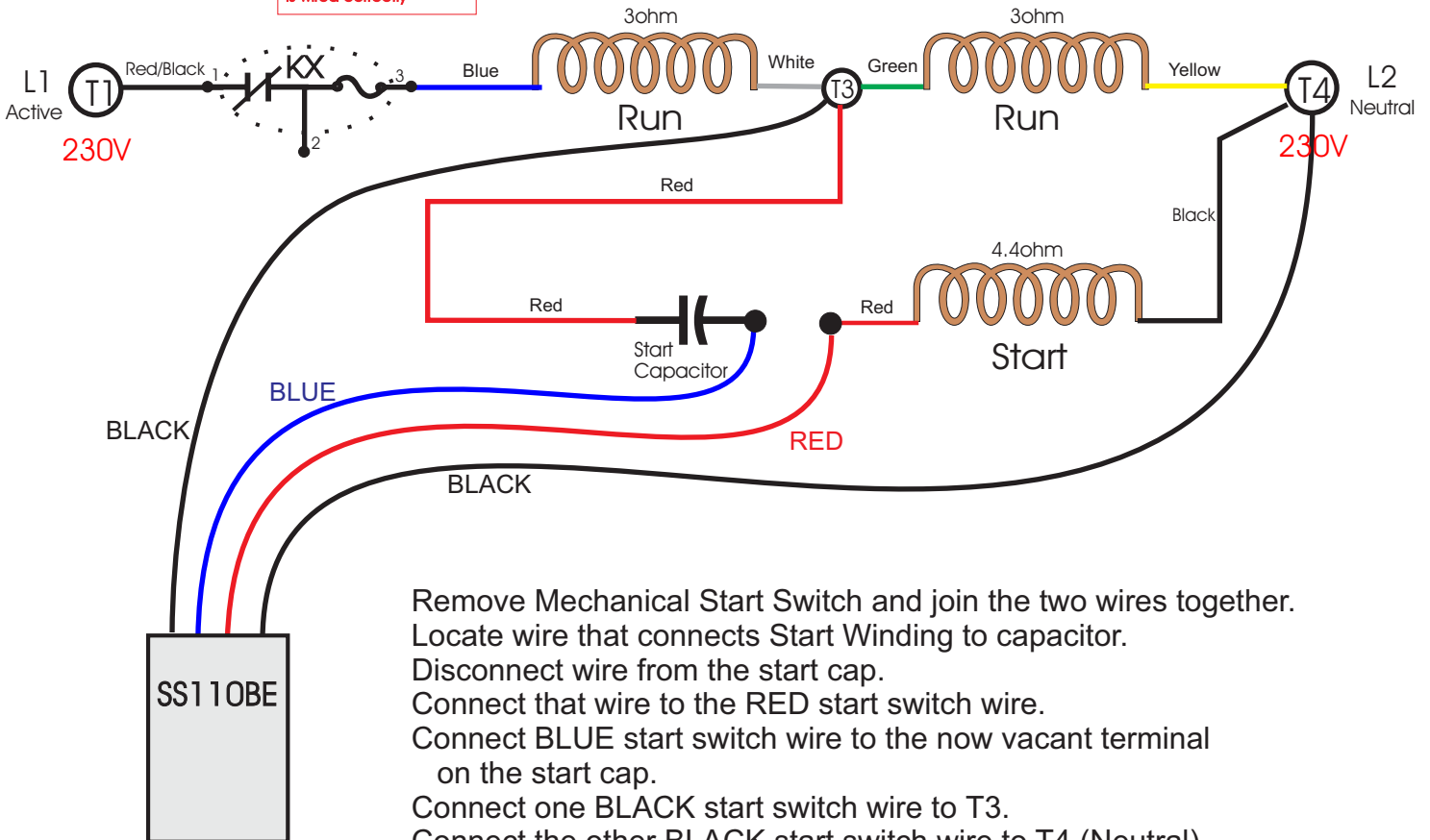
Before

Important - ensure klixon is wired correctly



After

Important - ensure klixon is wired correctly



- Remove Mechanical Start Switch and join the two wires together.
- Locate wire that connects Start Winding to capacitor.
- Disconnect wire from the start cap.
- Connect that wire to the RED start switch wire.
- Connect BLUE start switch wire to the now vacant terminal on the start cap.
- Connect one BLACK start switch wire to T3.
- Connect the other BLACK start switch wire to T4 (Neutral).